

Piston flow monitor STAN-K



- vertical or horizontal installation
- with adjustable limit switch
- stainless steel or brass version
- compact design
- measuring range 1 : 3
- for water, oils and liquids
- accuracy 10 % FS

Application

The piston flow monitor STAN-K is used to monitor the volumetric flow of water, oils or other liquids independently from the alignment of the device.

Description

The devices are equipped with a spring-loaded piston located in a cylindrical measuring tube.

When the liquid passes through the STAN-K, the piston changes its position in proportion to the flow rate. The flow rate to be monitored is set using the adjustable limit switch on an external scale.

Type series:

STAN-K	Brass body
STAN-K-VA	Stainless steel/Inox body (1.4571)

Technical data and materials

Medium temperature	-20 ... +90 °C
Scale	l/min
Measuring accuracy	10 % FS (full scale)
Pressure loss	0,02 ... 0,4 bar (G1") 0,02 ... 0,3 bar (G½") 0,02 ... 0,2 bar (G¼")

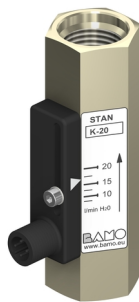
Brass version:

Max. operating pressure	50 bar (G1") 50 bar (G½" & G¼")
Body, connections, piston	Brass
Spring	Inox 1.4571 (316 ti)
Magnet	Ferrite

Stainless steel/Inox (1.4571) design:

Max. operating pressure	50 bar (G1") 50 bar (G½" & G¼")
Body, connections, piston	Inox 1.4571 (316 ti)
Spring	Inox 1.4571 (316 ti)
Magnet	Ferrite

Other versions on request



BAMO INTERNATIONAL

22, Rue de la Voie des Bans · Z.I. de la gare · 95100 ARGENTEUIL
 Tel +33 (0)1 30 25 83 20 Web www.bamo.eu
 Fax +33 (0)1 34 10 16 05 E-mail export@bamo.fr

Piston flow monitor
STAN-K

28-06-2024

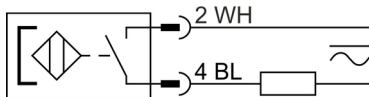
D-726.02-EN-AA

726-02/1

Technical data limit value switch

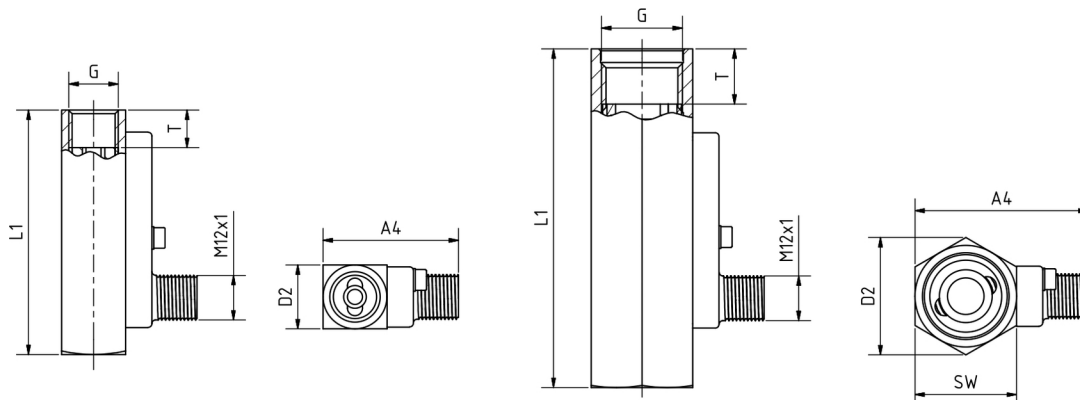
The flow rate to be monitored is set on an external scale using the adjustable limit switch. To do this, the locking screw is loosened, the switch position is adjusted by moving the limit switch and the locking screw is retightened.

Type	Reed switch
Switching function	Normally open (NO)
Switching capacity	max. 10 W
Switching current	max. 1 A
Switching voltage	100 V DC
Dielectric strength	200 V DC
Contact resistance	150 mΩ
Temperature range	-20 ... +90 °C
Protection class	IP 65
Connection	Plug-in connector M12x1, 4-pin
Material	PBT (Polybutylene terephthalate,) black
Connection diagram	



Part numbers and measuring ranges

Part number		Type		Measuring range H ₂			Connection	Dimensions				Weight	
Brass	Inox	Brass	Inox	[l/min]				SW	D2	T	A4	Brass	Inox
726 100	726 200	STAN-K	STAN-K-VA	0,1	-	0,5	G $\frac{1}{4}$ "	17/18	17/18	10	36/37	131	125
726 102	726 202	STAN-K	STAN-K-VA	0,2	-	1	G $\frac{1}{4}$ "	17/18	17/18	10	36/37	131	125
726 104	726 204	STAN-K	STAN-K-VA	0,5	-	2	G $\frac{1}{4}$ "	17/18	17/18	10	36/37	131	125
726 106	726 206	STAN-K	STAN-K-VA	1	-	3,5	G $\frac{1}{4}$ "	17/18	17/18	10	36/37	131	125
726 120	726 220	STAN-K	STAN-K-VA	0,2	-	1	G $\frac{1}{2}$ "	31	27	15	46	303	290
726 122	726 222	STAN-K	STAN-K-VA	0,4	-	1,6	G $\frac{1}{2}$ "	31	27	15	46	303	290
726 124	726 224	STAN-K	STAN-K-VA	1,5	-	5	G $\frac{1}{2}$ "	31	27	15	46	303	290
726 126	726 226	STAN-K	STAN-K-VA	3	-	10	G $\frac{1}{2}$ "	31	27	15	46	303	290
726 128	726 228	STAN-K	STAN-K-VA	8	-	20	G $\frac{1}{2}$ "	31	27	15	46	303	290
726 130	726 230	STAN-K	STAN-K-VA	15	-	45	G1"	47	41	18,5	60	967	919
726 132	726 232	STAN-K	STAN-K-VA	30	-	90	G1"	47	41	18,5	60	967	919
726 134	726 234	STAN-K	STAN-K-VA	60	-	150	G1"	47	41	18,5	60	967	919



BAMO INTERNATIONAL

22, Rue de la Voie des Bans · Z.I. de la gare · 95100 ARGENTEUIL

Tel +33 (0)1 30 25 83 20 Web www.bamo.eu

Fax +33 (0)1 34 10 16 05 E-mail export@bamo.fr

Piston flow monitor
STAN-K

28-06-2024

D-726.02-EN-AA

726-02/2